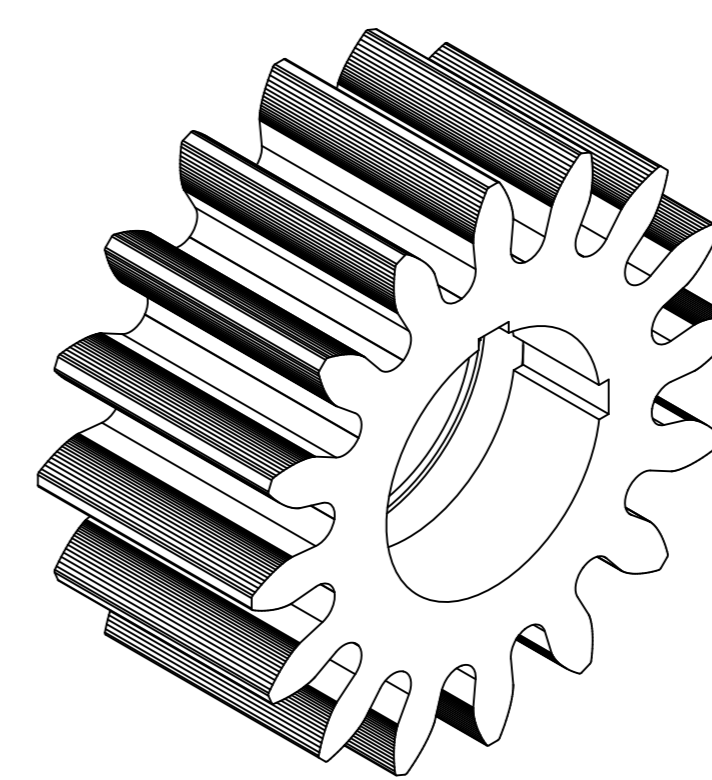
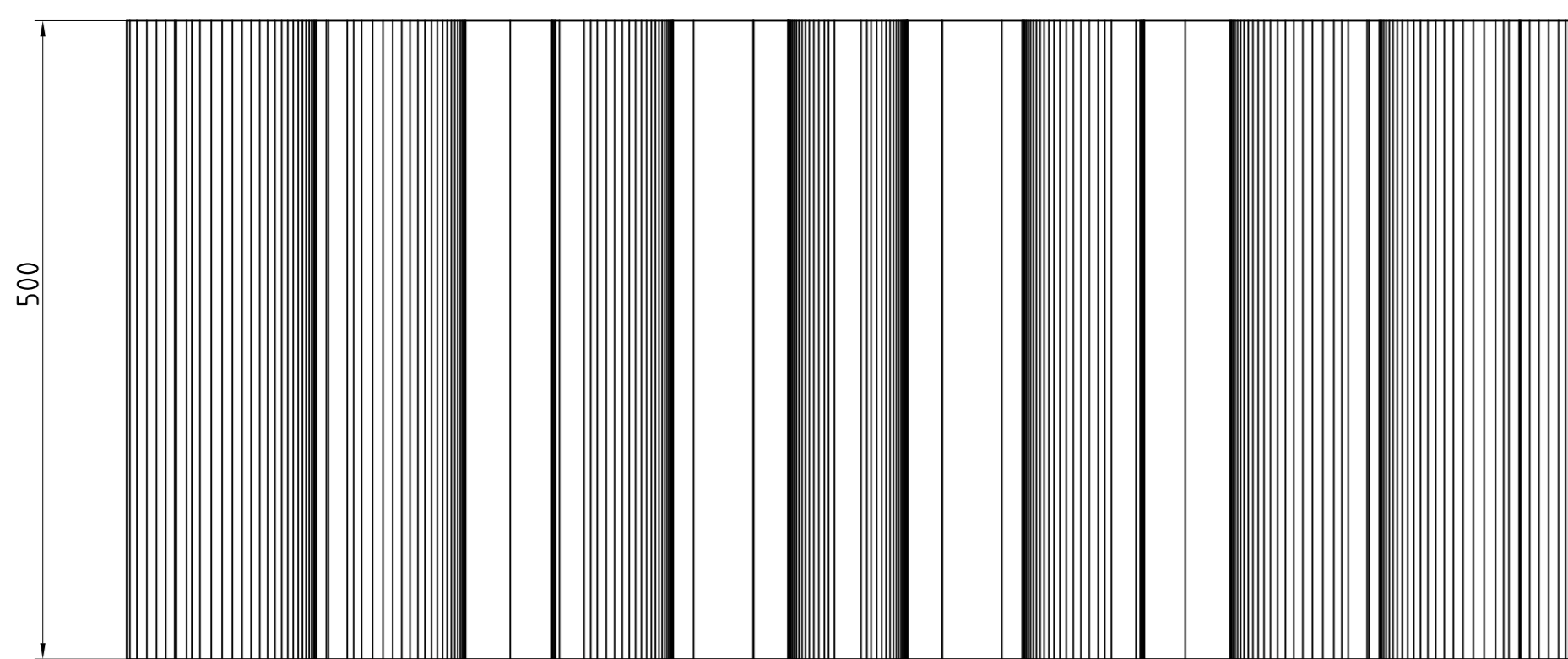


SECTION A - A



UNLESS OTHERWISE SPECIFIED: DIMENSIONS ARE IN MM		NAME	SIGNATURE	DATE	Mill Pinion	
ANGULAR ± ° *	FRACTIONAL ± ±	DRAWN			TITLE	
SURFACE FINISH ✓		CHECKED			---	
DO NOT SCALE DRAWING		APPROVED			---	
BREAK ALL SHARP EDGES AND REMOVE BURRS					SIZE	DWG NO.
FIRST ANGLE PROJECTION	MATERIAL				A1	---
	FINISH				SCALE	WEIGHT
						SHEET 1 of 1