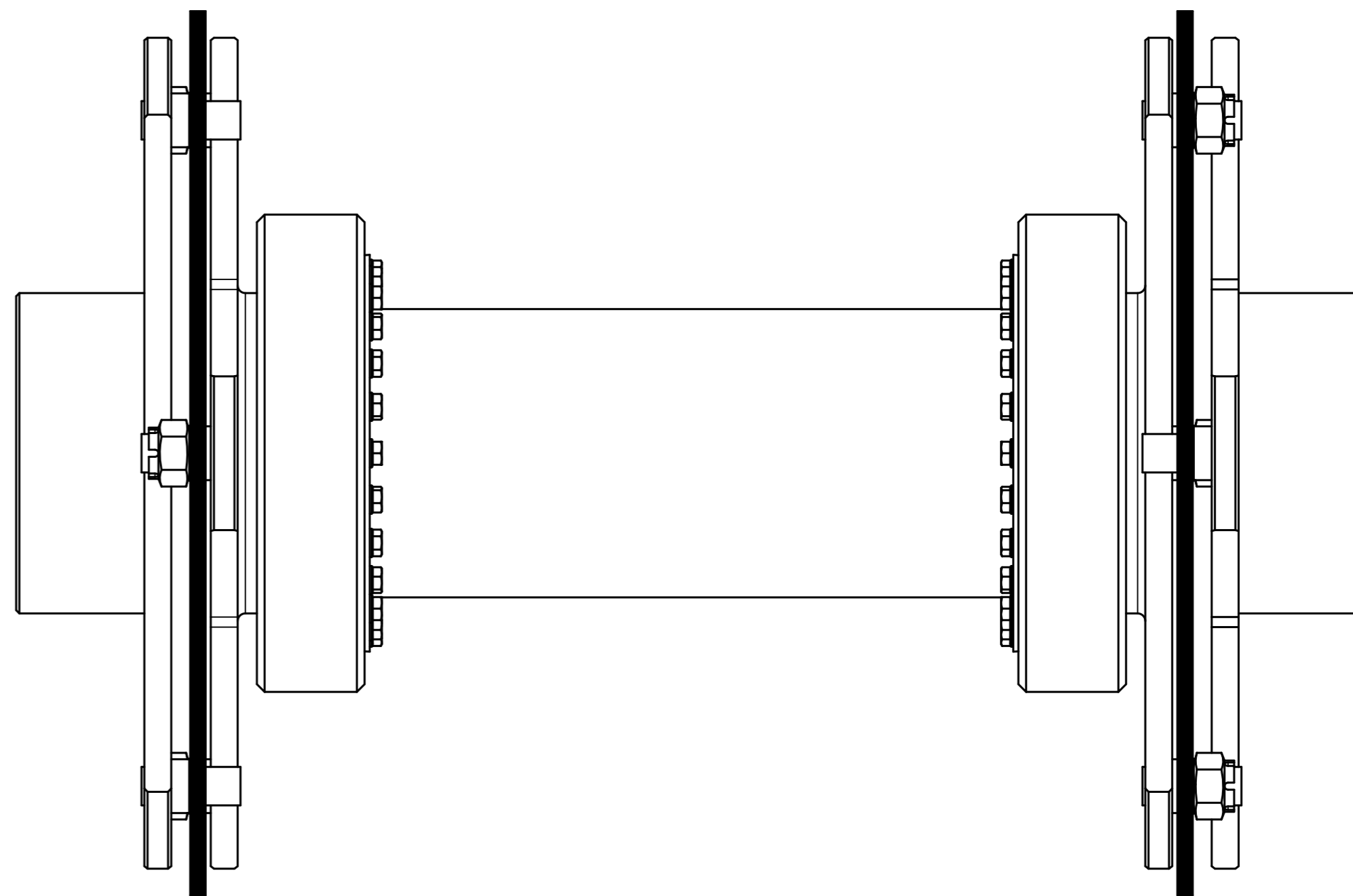
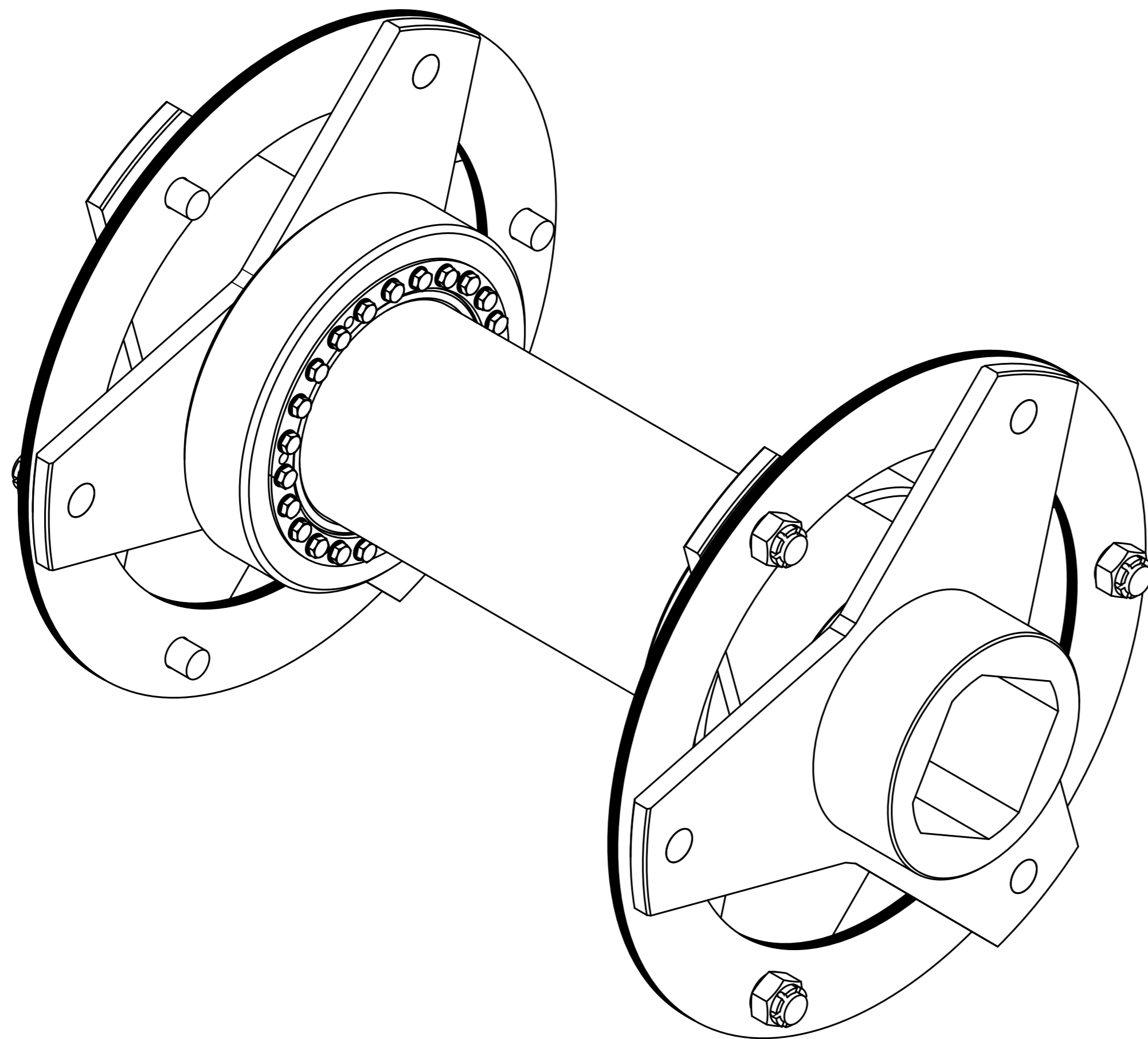


SECTION A - A



The Sugar Engineers
 www.sugartech.co.za
 5 Firtree Lodge, St. Aidan's Ave
 Grahamstown, 6139
 Eastern Cape
 South Africa
 +27 466 228 623

UNLESS OTHERWISE SPECIFIED: DIMENSIONS ARE IN MM		NAME	SIGNATURE	DATE
DRAWN				
CHECKED				
APPROVED	W JAYES			
SURFACE FINISH \checkmark				
ANGULAR \pm °				
FRACTIONAL \pm mm				
DO NOT SCALE DRAWING				
BREAK ALL SHARP EDGES AND REMOVE BURRS				
FIRST ANGLE PROJECTION	MATERIAL	FINISH		

Assembly		REV. A
Coupling		
SIZE A1	DWG NO. ----	
SCALE	WEIGHT	SHEET 1 of 1