

12

11

10

9

8

7

6

5

4

3

2

1

H

G

F

E

D

C

B

A

H

G

F

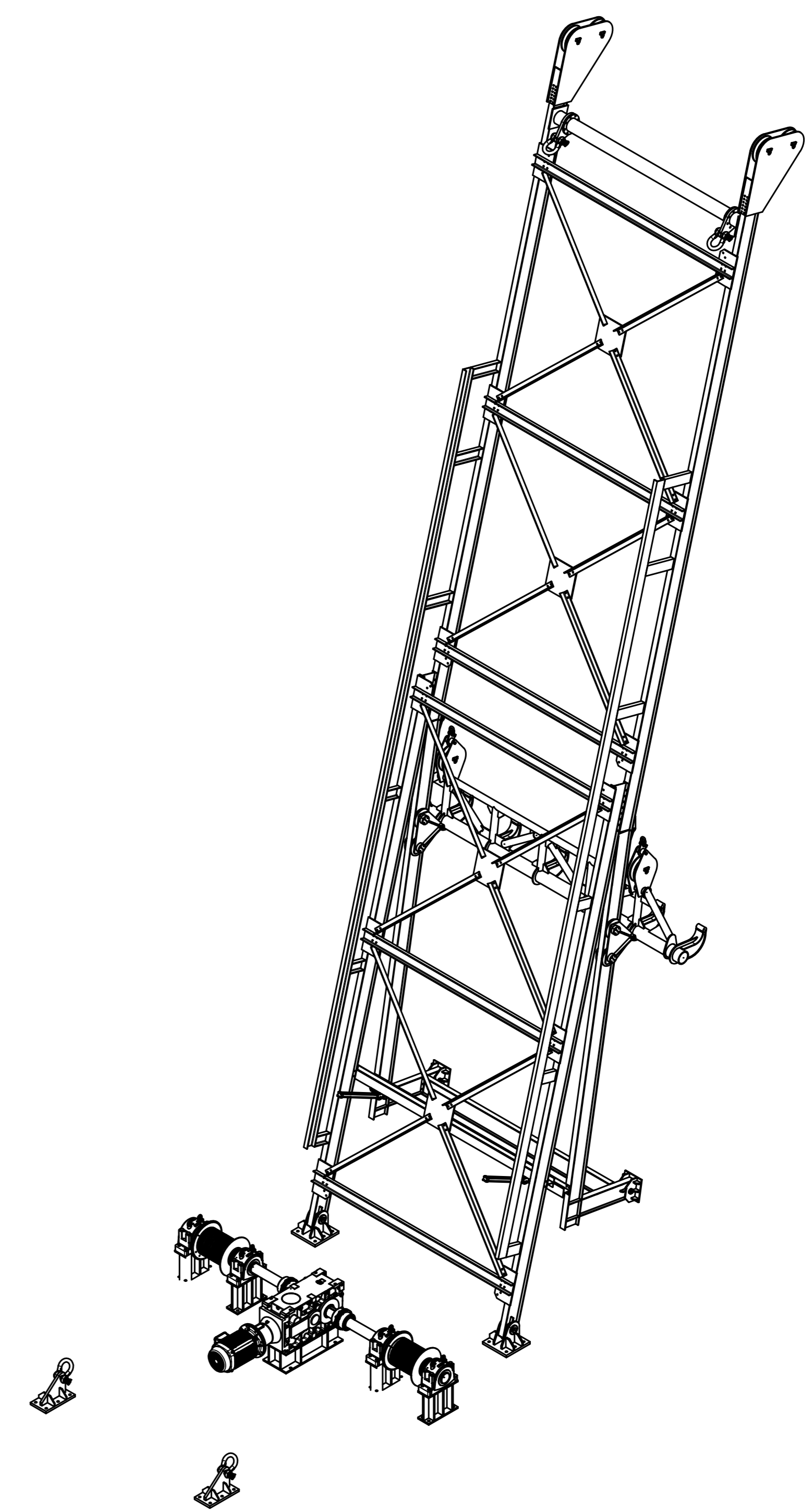
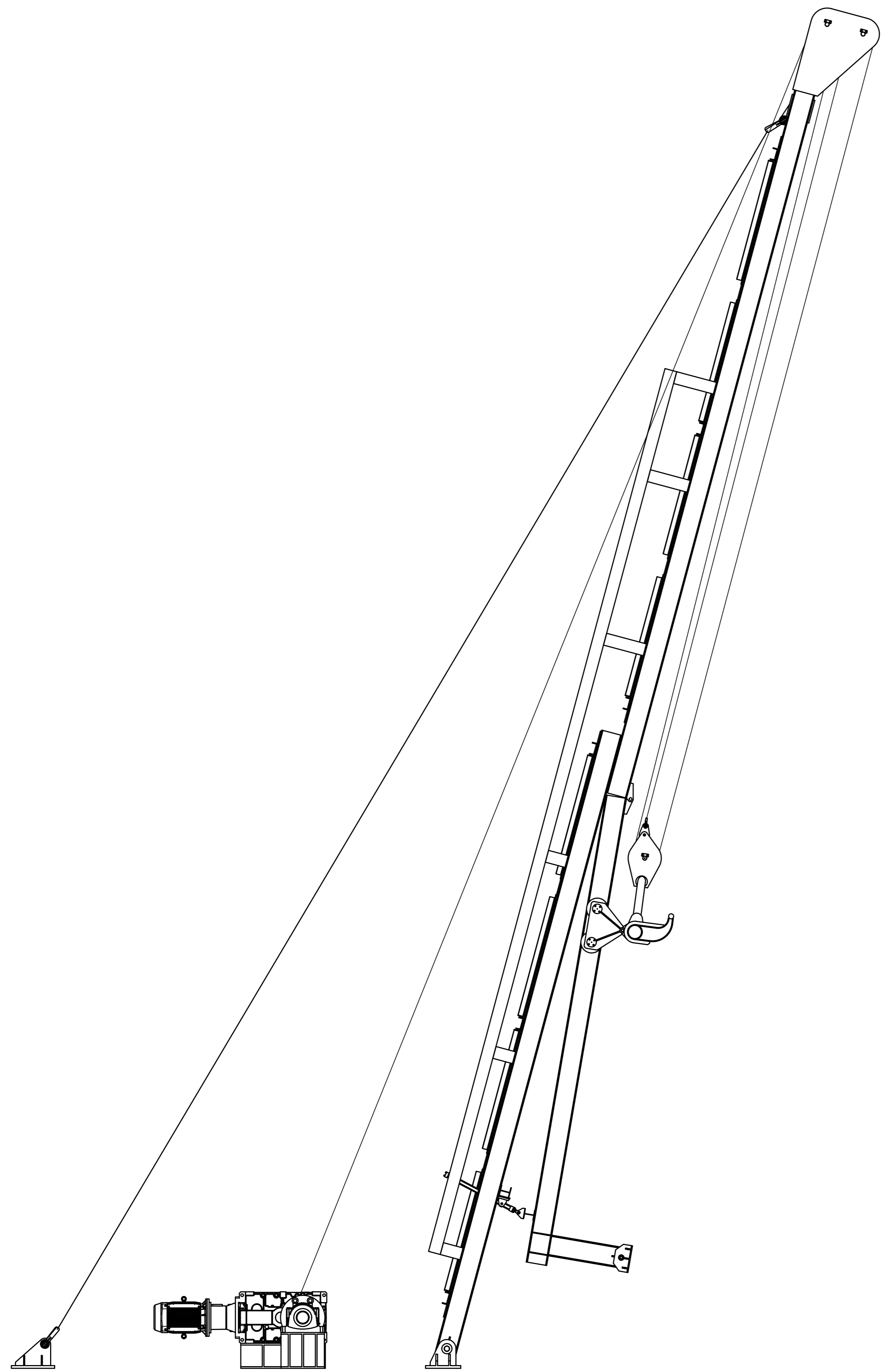
E

D

C

B

A



**The Sugar Engineers**  
 www.sugartech.co.za  
 5 Firtree Lodge, St. Aidan's Ave  
 Grahamstown, 6139  
 Eastern Cape  
 South Africa  
 +27 466 228 623

UNLESS OTHERWISE SPECIFIED: DIMENSIONS ARE IN MM		NAME	SIGNATURE	DATE
ANGULAR ± 1°	FRACTIONAL ± 0.2	DRAWN		
SURFACE FINISH	✓	CHECKED		
DO NOT SCALE DRAWING		APPROVED	W JAYES	
BREAK ALL SHARP EDGES AND REMOVE BURRS.				
FIRST ANGLE PROJECTION	MATERIAL	FINISH		

TITLE		Assembly	
TITLE		Hilo Unloader	
SIZE	DWG NO.	REV.	
A1	1600-0999	-	
SCALE	WEIGHT	SHEET	1 of 1